

adjustable worksurfaces / workstations

the ultimate in adjustability and
user comfort.....



Marathon™ Table



Set & Forget™ Table

Height adjustable
worksurfaces are
the only way to
accommodate
the differences
in the field of
ergonomics and
deliver true
harmony for all
workers.

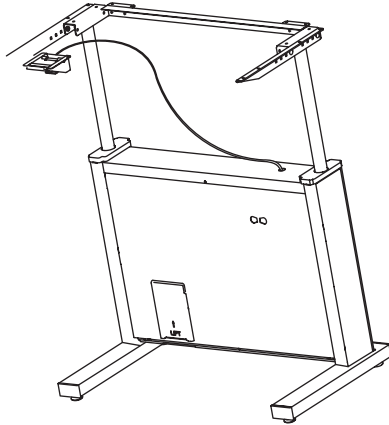
Whatever your
application, rest
assured we have
your solution!

INNOVATIVE IDEAS IN WORKPLACE COMFORT



adjustable worksurfaces

Marathon™ spring counterbalanced



**Marathon™ table™ 34½" (876 mm)
wide with feet**

TMC-M34-18-F

- for worksurfaces between 36" (914 mm) and 50" (1270 mm) wide
- 75 lbs (34 kg) to 225 lbs (102 kg) capacity
- 27" (685 mm) to 42" (1066 mm) range of travel
- safety interlock and load indicator
- steel black textured powder coat finish
- worksurface sold separately

**Marathon™ table 40" (1016 mm)
wide with feet**

TMC-M40-18-F

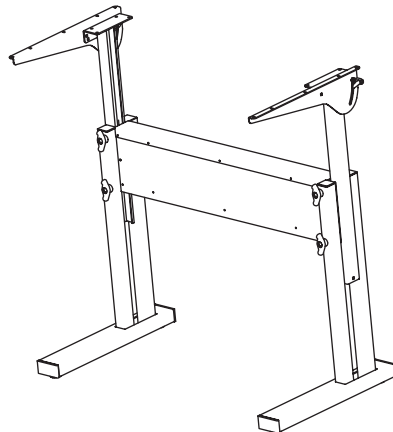
- for worksurfaces between 50" (1270 mm) and 66" (1676 mm) wide
- worksurface sold separately

**Marathon™ table 52" (1320 mm)
wide with feet**

TMC-M52-18-F

- for worksurfaces between 66" (1676 mm) and 78" (1981 mm) wide
- worksurface sold separately

Set&Forget™ variable height table



**Set&Forget™ table 34½" (876 mm)
wide with feet**

25887

- for worksurfaces between 37" (939 mm) and 50" (1270 mm) wide
- 26½" (673 mm) to 43" (1092 mm) height adjustment
- 0 to 30 degree tilt with infinite adjustment
- height set during installation
- steel black textured powder coat finish
- worksurface sold separately

**Set&Forget™ table 40" (1016 mm)
wide with feet**

26405

- for worksurfaces between 50" (1270 mm) and 62" (1574 mm) wide
- worksurface sold separately

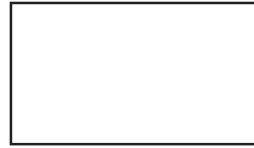
**Set&Forget™ table 60" (1524 mm)
wide with feet**

26396

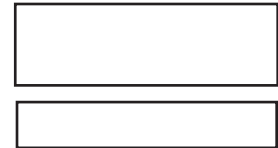
- for worksurfaces between 62" (1574 mm) and 72" (1828 mm) wide
- worksurface sold separately

***IMPORTANT** when ordering Marathon™ and Set&Forget™
Length of foot is dependent upon depth of worksurface used.
Please consult your representative before placing order.

adjustable worksurfaces



SINGLE



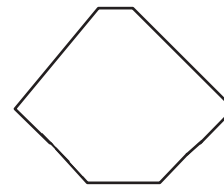
*DUAL

for Marathon™ and Set&Forget™
rectangular

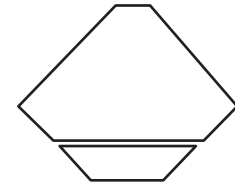
- for use with EasyMate™ PositionMate™ and CobraMate™
- EasyMate™ and CobraMate™ cannot be used with the Marathon™ table

size	Marathon™	Set&Forget™
30" x 48" use on 34½" wide tables single	single - MRS 3048	single - SRS 3048
30" x 60" use on 40" wide tables single dual 18" x 60" and 11" x 60"	single - MRS 3060 dual - MRP 3060	single - SRS 3060 dual - SRE 3060 (EasyMate™) dual - SRP 3060 (PositionMate™) dual - SRC 3060 (CobraMate™)
32" x 48" use on 34½" wide tables single dual 20" x 48" and 11" x 48"	single - MRS 3248 dual - MRP 3248	single - SRS 3054 dual - SRE 3054 (EasyMate™) dual - SRP 3054 (PositionMate™) dual - SRC 3054 (CobraMate™)
32" x 60" use on 40" wide tables single dual 20" x 60" and 11" x 60"	single - MRS 3260 dual - MRP 3248	single - SRS 3054 dual - SRE 3054 (EasyMate™) dual - SRP 3054 (PositionMate™) dual - SRC 3054 (CobraMate™)

for Marathon™ and Set&Forget™
corner



SINGLE



DUAL

- for use with EasyMate™ PositionMate™ and CobraMate™
- EasyMate™ and CobraMate™ cannot be used with the Marathon™ table

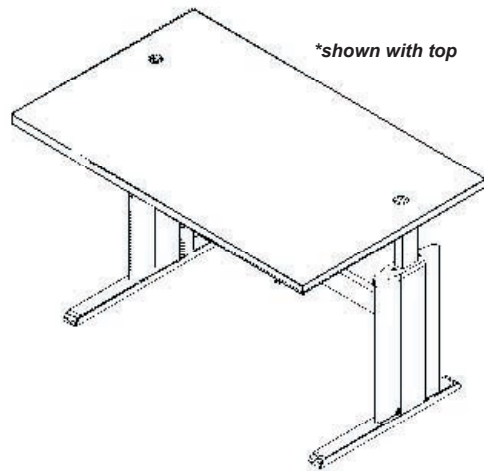
size	Marathon™	Set&Forget™
24" x 42" use on 34½" wide tables single	single - MCS 2442	single - SCS 2442
30" x 48" use on 34½" wide tables single dual 30" x 48" and 11" x 45"	single - MCS 3048 dual - MCP 3048	single - SCS 3048 dual - SCE 3048 (EasyMate™) dual - SCP 3048 (PositionMate™) dual - SCC 3048 (CobraMate™)
32" x 48" use on 34½" wide tables single dual 32" x 48" and 11" x 42"	single - MCS 3248 dual - MCP 3248	single - SCS 3248 dual - SCE 3248 (EasyMate™) dual - SCP 3248 (PositionMate™) dual - SCC 3248 (CobraMate™)

- Standard laminates include Pionite SG208 Limestone, SG246 Dolphin Gray, AW785 Spektrum, AG251 Gray Spektrum, and HP268-N Fusion Maple, or Wilson Art equivalent.
- Standard T-molding colors are Dove Grey, Almond, White and Black.

adjustable worksurfaces

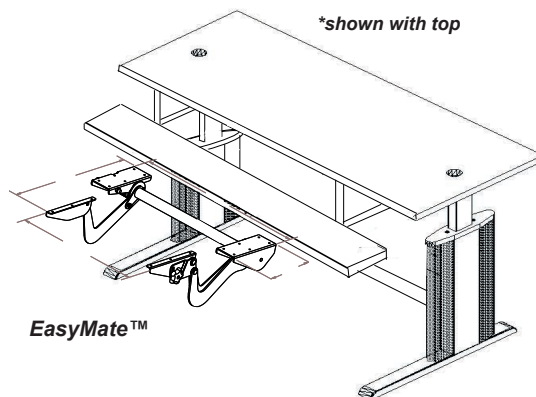
TME single surface frame electric height adjustable table

- single surface
- electrical height adjustment from 27" (685 mm) to 42" (1066 mm)
- measurements based on table with a 1" (25 mm) thick top
- top bracket 16" (406 mm) deep - 1½" (38 mm) wide
- foot 24" (609 mm) deep - 2½" (63 mm) wide
- load capacity 125 lbs (56 kgs) concentrated, 250 lbs (113 kgs) evenly distributed
- black metal base
- worksurfaces sold separately



TME dual surface frame electric height adjustable table with EasyMate™

- dual surface with EasyMate™
- electrical height adjustment from 27" (685 mm) to 42" (1066 mm)
- measurements based on table with a 1" (25 mm) thick top
- top bracket 16" (406 mm) deep - 1½" (38 mm) wide
- foot 24" (609 mm) deep - 2½" (63 mm) wide front surface range combined with rear - effective range of 21" (533 mm) to 48" (1219 mm) - 6" (152 mm) above, 6" (152 mm) below
- ideal for sit-stand applications
- black metal base
- worksurfaces sold separately



*contact your EA representative for custom application details and sizes not listed

TME single surface frame

TME28

- 28" (711 mm) frame
- suitable for 30" (762 mm) to 42" (1066 mm) tops
- corner tops - minimum 42" (1066 mm)
- customization required for 36" (914 mm) deep corners
- can accommodate 24" (609 mm) and 30" (762 mm) deep surfaces

TME46

- 46" (1168 mm) frame
- suitable for 48" (1219 mm) to 60" (1524 mm) tops

TME70

- 70" (1778 mm) frame
- suitable for 72" (1828 mm) to 80" (2032 mm) tops

TMECASELEC4

- set of four casters

TME dual surface frame

TME28EM

- 28" (711 mm) frame
- suitable for 30" (762 mm) to 42" (1066 mm) tops
- corner tops - minimum 42" (1066 mm)
- customization required for 36" (914 mm) deep corners
- can accommodate 24" (609 mm) and 30" (762 mm) deep surfaces

TME46EM

- 46" (1168 mm) frame
- suitable for 48" (1219 mm) to 60" (1524 mm) tops

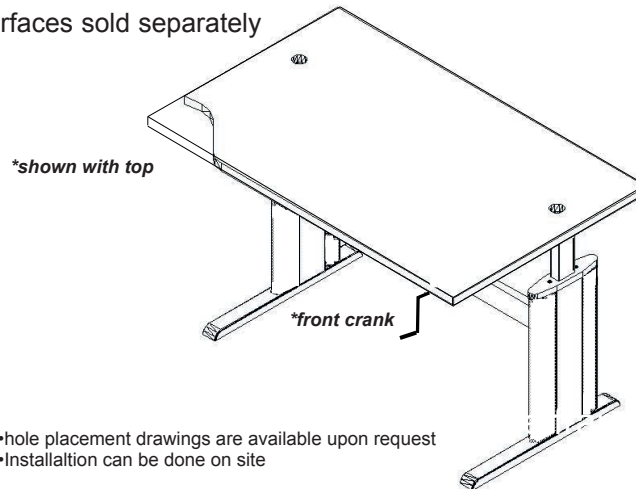
TME70EM

- 70" (1778 mm) frame
- suitable for 72" (1828 mm) to 80" (2032 mm) tops

adjustable worksurfaces

TMH single surface frame - front crank height adjustable table

- single surface
- front crank height adjustment from 27" (685 mm) to 42" (1066 mm)
- six cranks per inch
- measurements based on table with a 1" (25 mm) thick top
- top bracket 16" (406 mm) deep - 1½" (38 mm) wide
- foot 24" (609 mm) deep - 2½" (63 mm) wide
- load capacity 125 lbs (56 kgs) concentrated, 250 lbs (113 kgs) evenly distributed
- black metal base
- worksurfaces sold separately



TMH single surface frame

TMH28

- 28" (711 mm) frame
- suitable for 30" (762 mm) to 42" (1066 mm) tops
- corner tops - minimum 42" (1066 mm)
- customization required for 36" (914 mm) deep corners
- can accommodate 24" (609 mm) and 30" (762 mm) deep surfaces

TMH46

- 46" (1168 mm) frame
- suitable for 48" (1219 mm) to 60" (1524 mm) tops

TMH70

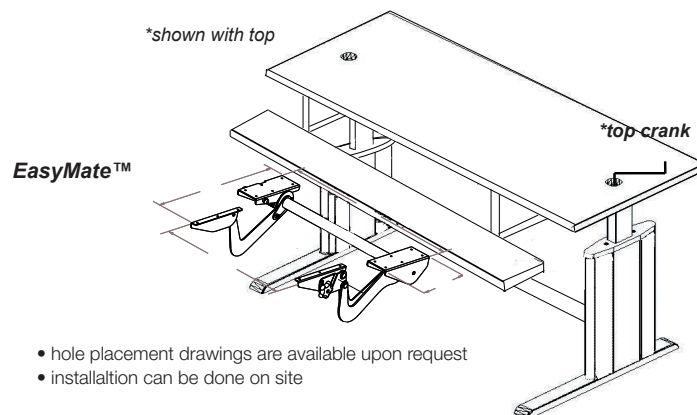
- 70" (1778 mm) frame
- suitable for 72" (mm) to 80" (mm) tops

TMECASELEC4

- set of four casters

TMH dual surface frame - front crank height adjustable table with EasyMate™

- dual surface with EasyMate™
- top crank height adjustment from 27" (685 mm) to 42" (1066 mm)
- six cranks per inch
- measurements based on table with a 1" (25 mm) thick top
- top bracket 16" (406 mm) deep - 1½" (38 mm) wide
- foot 24" (609 mm) deep - 2½" (63 mm) wide
- front surface range combined with rear - effective range of 21" (533 mm) to 48" (1219 mm) - 6" (152 mm) above, 6" (152 mm) below
- ideal for sit-stand applications
- black metal base
- worksurfaces sold separately



TMH dual surface frame

TMH28EM

- 28" (711 mm) frame
- suitable for 30" (762 mm) to 42" (1066 mm) tops
- corner tops - minimum 42" (1066 mm)
- customization required for 36" (914 mm) deep corners
- can accommodate 24" (609 mm) and 30" (762 mm) deep surfaces

TMH46EM

- 46" (1168 mm) frame
- suitable for 48" (1219 mm) to 60" (1524 mm) tops

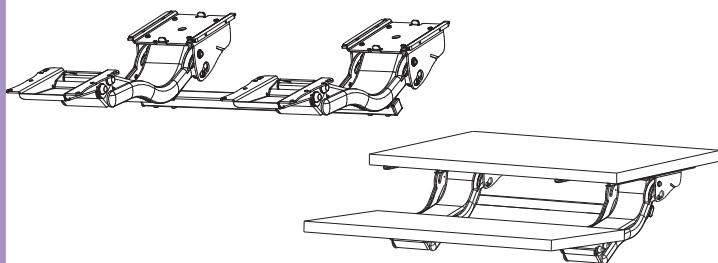
TMH70EM

- 70" (1778 mm) frame
- suitable for 72" (mm) to 80" (mm) tops

*contact your EA representative for custom application details and sizes not listed

adjustable worksurfaces

CobraMate™

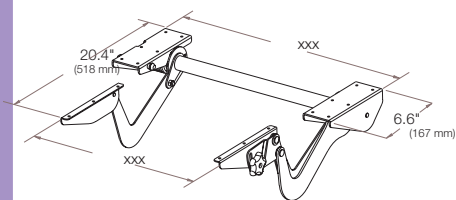


CobraMate™ lift and release

25862

- travel range 7½" (190 mm) up - 5" (127 mm) down
- width 22" (558 mm) or 30" (762 mm) - specify when ordering
- worksurfaces sold separately
- steel black powder coat finish

EasyMate™



EasyMate™ lift and release

29415-26



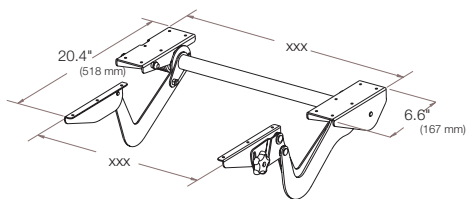
- 26.5" (673 mm) wide
- 15 for 15 lb (6 kgs) spring assist
- travel range 6" (152 mm) up- 6" (152 mm) down
- +9° to -15° tilt
- various widths available
- worksurfaces sold separately
- steel black powder coat finish

EasyMate™ lift and release

29420-26

- 26.5" (673 mm) wide
- 20 for 20 lb (9 kgs) spring assist
- travel range 6" (152 mm) up- 6" (152 mm) down
- +9° to -15° tilt
- various widths available
- worksurfaces sold separately
- steel black powder coat finish

PositionMate™



PositionMate™ 25" (635 mm) width

27715-25



- 15 lb (6 kgs) spring strength
- travel range 7" (177 mm) up- 5¾" (146 mm) down
- +9° to -15° tilt
- custom widths and spring strengths available
- worksurfaces sold separately
- steel black powder coat finish

PositionMate™ 29" (736 mm) width

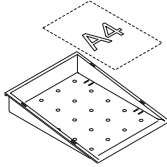
27720-29



- 20 lb (9 kgs) spring strength
- travel range 7" (177 mm) up- 5¾" (146 mm) down
- +9° to -15° tilt
- custom widths and spring strengths available
- worksurfaces sold separately
- steel black powder coat finish

adjustable workstations - free space

portrait letter tray

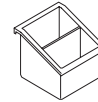


portrait letter tray

25819

- set of 2
- black-892
- translucent blue-893
- translucent clear-139

pen holder

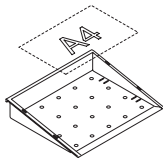


pen holder

25822

- black-892
- translucent blue-893
- translucent clear-139

landscape letter tray

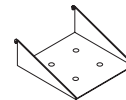


landscape letter tray

25823

- set of 2

cd-rom holder

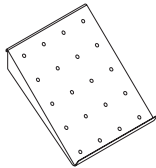


cd-rom holder

25824

- black-895

document holder

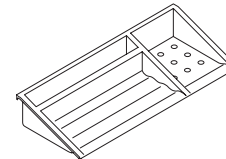


document holder

25826

- black-895

multi-object holder

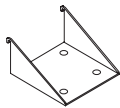


multi-object holder

25821

- black-892
- translucent blue-893
- translucent clear-139

floppy disk holder

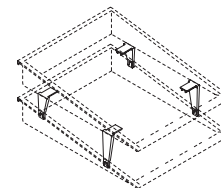


floppy disk holder

25825

- black-895

riser set for letter trays



riser set for letter trays

25820

- black-892
- translucent blue-893
- translucent clear-139

hanging file folder brackets



hanging file folder brackets

26409

- set of 2
- black-162

telephone shelf



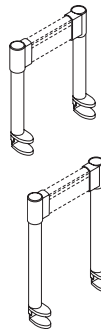
telephone shelf

26410

- black: 26410-162

adjustable workstations - free space

support columns 13" (330 mm) / 19" (482 mm)



support columns 13" (330 mm)

25828-33

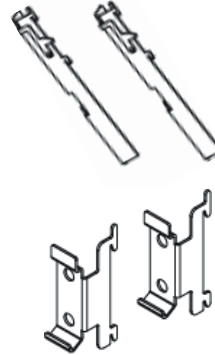
- set of 2
- black-895
- metallic gray-894

support columns 19" (482 mm)

25828-48

- set of 2
- black-895
- metallic gray-894

furniture bracket for multi-rail slatwall/ freespace bar



bracket for multi-rail slatwall

26375 - 26379

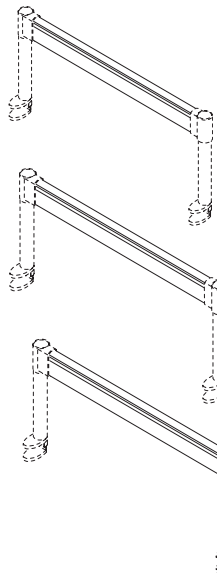
- set of 2
- various bracket styles are available for attachment to specific manufacturer's systems-call for part number

bracket for freespace bar

25926 - X

- set of 2
- various bracket styles are available for attachment to specific manufacturer's systems-call for part number

freespace™ bar 36" (914 mm) / 48" (1219 mm) / 60" (1524 mm)



freespace™ bar 36" (914 mm)

25827-795 call for pricing

- actual bar length 27.6" (701 mm)
- column centerline 31.3" (795 mm)
- anodized aluminum

freespace™ bar 48" (1219 mm)

25827-1095 call for pricing

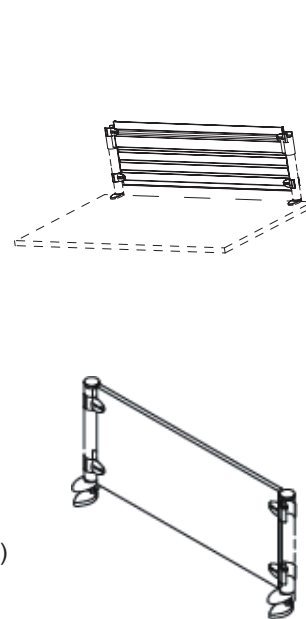
- actual bar length 39.4" (1000 mm)
- column centerline 43.1" (1094 mm)
- anodized aluminum

freespace™ bar 60" (1524 mm)

25827-1395 call for price

- actual bar length 51.2" (1300 mm)
- column centerline 54.9" (1394 mm)
- anodized aluminum

multi-rail slatwall 36" (914 mm) / 48" (1219 mm) clamp and end cap set



multi-rail slatwall 36" (914 mm)

26127-36 call for pricing

- actual rail length - 38.9" (988 mm)
- black-603
- anodized silver-601

multi-rail slatwall 48" (1219 mm)

26127-48 call for pricing

- actual rail length - 50.7" (1287 mm)
- black-603
- anodized silver-601

clamp and end cap set

26392

- for mounting multi-rail slatwall on FreeSpace™ columns
- support columns not included

privacy panel 13" (330 mm)



privacy panel 13" (330 mm)

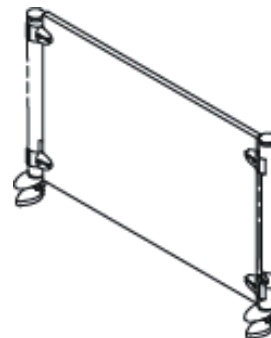
PP1336XX-YYY

PP1348XX-YYY

PP1360XX-YYY

- PP1336XX-YYY 13" x 36" Long (330 mm x 914 mm) Long
- PP1348XX-YYY 13" x 48" Long (330 mm x 1219 mm) Long
- PP1360XX-YYY 13" x 60" Long (330 mm x 1524 mm) Long

privacy panel 19" (482 mm)



privacy panel 19" (482 mm)

PP1936XX-YYY

PP1948XX-YYY

PP1960XX-YYY

- PP1936XX-YYY 19" x 36" Long (482 mm x 914 mm) Long
- PP1948XX-YYY 19" x 48" Long (482 mm x 1219 mm) Long
- PP1960XX-YYY 19" x 60" Long (482 mm x 1524 mm) Long

panel material (XX)

- FS - Fabric, Solid
- FP - Fabric, Pattern
- FC - Fabric, Custom*

*Custom quote required

fabric colors (YYY)

- S1G - Solid 1 Green
- S2B - Solid 2 Blue
- S2T - Solid 2 Tan
- S3T - Solid 3 Tan
- S5G - Solid 5 Grey
- P30 - Pattern, Daylight Blue
- P31 - Pattern, Meadowbrook
- P32 - Pattern, Pearl Grey
- P60 - Pattern, Taupe
- P61 - Pattern, Flax