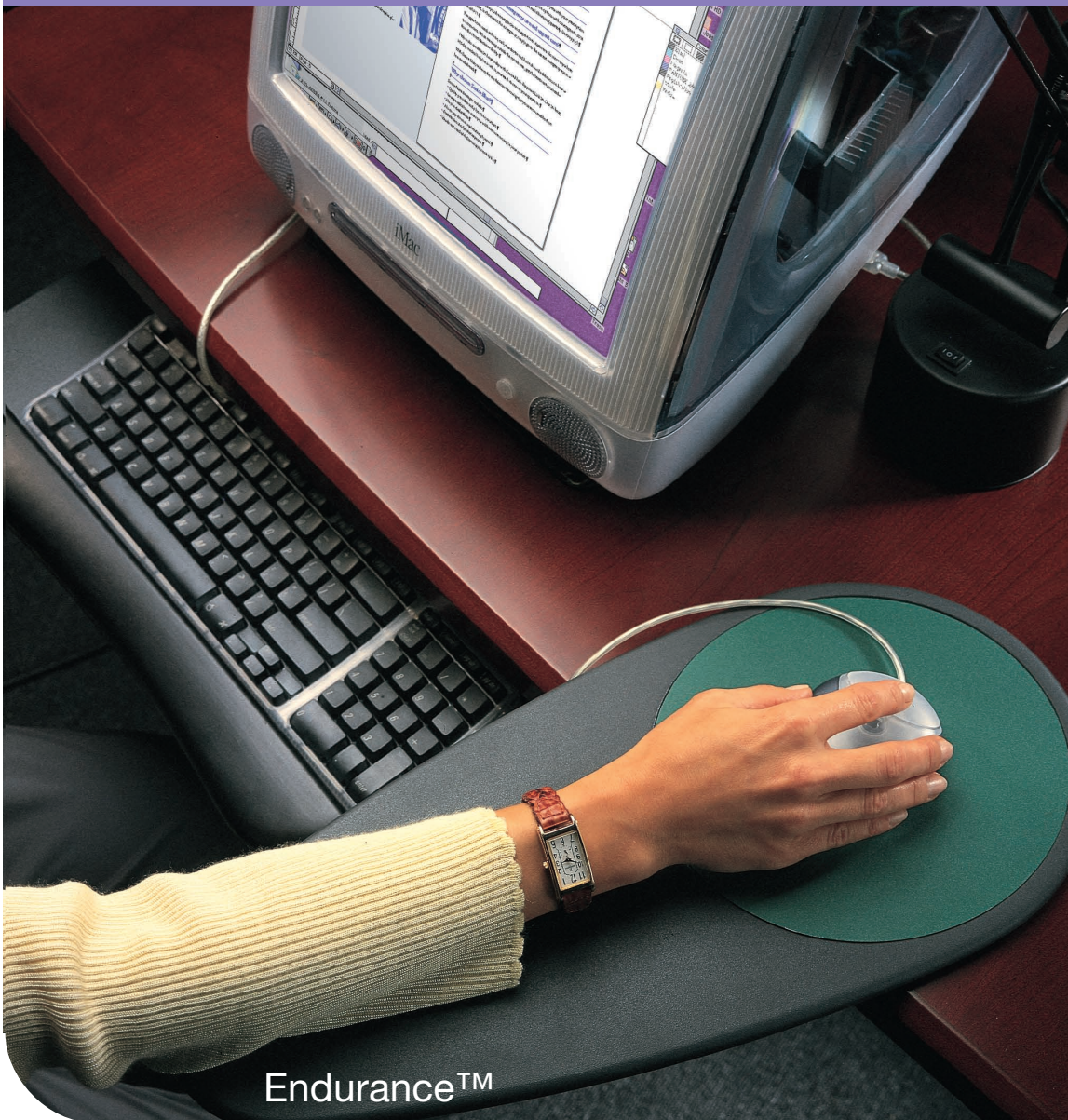


arm supports

let us give you some support.....



MicroMouse™



Endurance™

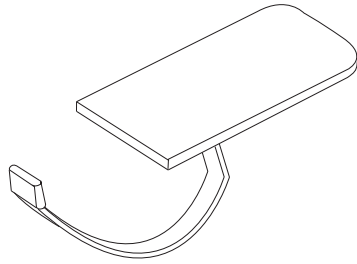
Studies have shown that by using an arm support you can significantly reduce the workload on the neck, head and shoulders while working at a computer.

INNOVATIVE IDEAS IN WORKPLACE COMFORT



arm supports

cantilevered single arm support



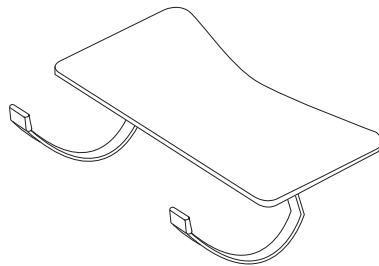
single arm support

AR200



- 9¼" (234 mm) x 4¼" (107 mm) black vinyl pad
- for worksurfaces from 1" (25 mm) to 2¼" (57 mm)
- steel arm construction
- black texture powder coat finish

cantilevered double arm support



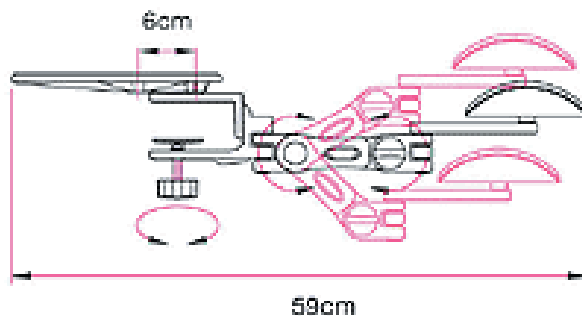
double arm support

AR300



- 23" (584 mm) x 9½" (241 mm) black vinyl pad
- for worksurfaces from 1" (25 mm) to 2¼" (57 mm)
- steel arm construction
- black texture powder coat finish

Dynarest



white arm - gel pad - no mouse

ARDR814WG



white arm - gel pad - with mouse

ARDR814WGM



chrome arm - gel pad - no mouse

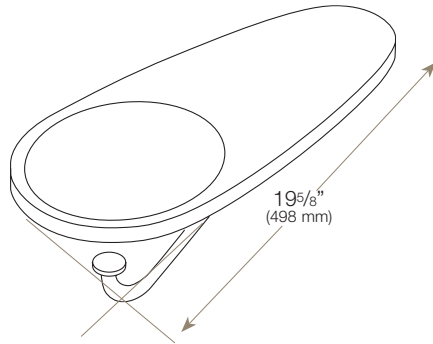
ARDR814CG



- maximum arm span when fully extended is 14.4" (37 cm)
- height adjustment range up to 8" (23.5 cm)
- maximum load bearing capacity of 24 lbs (11 kgs)
- relieves up to 90% of the weight undertaken by your wrists
- fits work surface depths from 0.4" (1.1 cm) to 1.8" (4.7 cm)

arm supports

Endurance™



mouse arm-rest

25818

- polyurethane surface
- steel support structure
- black powder coat finish

retractable micro-mouse



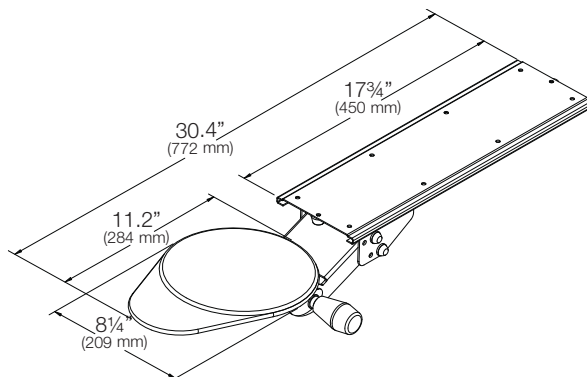
retractable micro-mouse

18472



- mounts underneath most work surfaces with an easy-to-install standard $17\frac{3}{4}$ " (450 mm) track-included
- retractable
- 10" (254 mm) x 10" (254 mm) mouse pad
- 360° swivel
- infinite height adjustment within a $5\frac{3}{4}$ " (146 mm) range
- rugged steel construction with a durable black textured powder coat

Micromouse™



height adjustable mousing platform

27396

- height adjustment relative to underside of worksurface
- range up - 2" (50 mm)
- range down - $3\frac{3}{4}$ " (95 mm)
- height set by knob
- 360° swivel
- fully retractable $17\frac{3}{4}$ " (450 mm) track included
- steel / phenolic
- textured black powder coat, graphite spectrum (standard)