

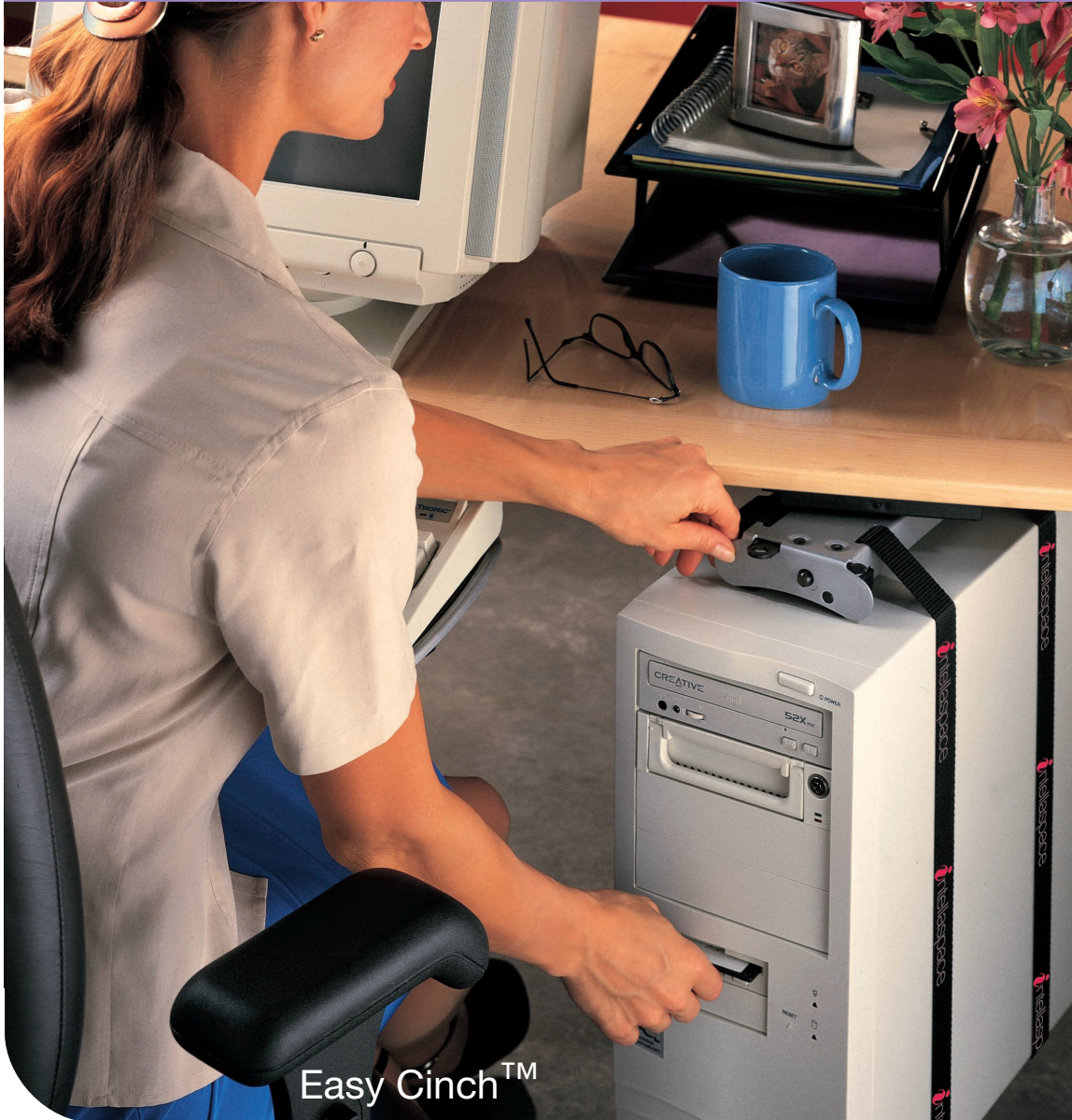
CPU holders

ergonomic CPU storage solutions for
workspace efficiency.....



Nomad™

A CPU holder is a great way to remove your cumbersome computer tower from your work surface. The CPU holder provides safe support without having to put the unit on the floor and risk damaging your expensive computer equipment.



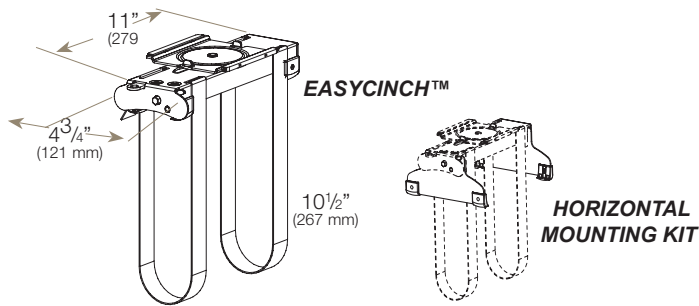
Easy Cinch™

INNOVATIVE IDEAS IN WORKPLACE COMFORT



cpu holders

Easycinch™



Easycinch™

25247

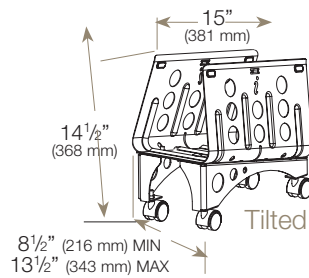


- ultra secure fastening is achieved using an advanced ratchet system
- eliminates all CPU movement relative to the carrying section
- secure and stable support for your valuable computing equipment
- steel, black powder coat finish
- ratchet tool included

horizontal mounting kit

25395

Nomad™



CPU trolley with tilt

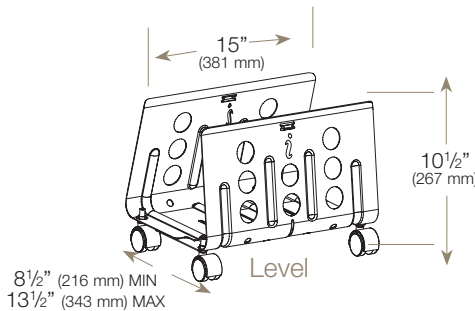
27472

- for CPU's 3" (76 mm) to 6" (152 mm) wide
- steel
- black powder coat

CPU trolley with tilt

25885

- for CPU's 5" (127 mm) to 10" (254 mm) wide
- steel
- black powder coat
- tilted 10 degrees



CPU trolley without tilt

27471

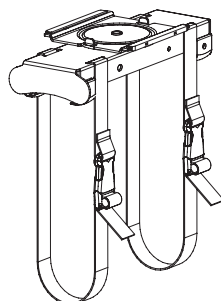
- for CPU's 3" (76 mm) to 6" (152 mm) wide
- steel
- black powder coat

CPU trolley without tilt

25884

- for CPU's 5" (127 mm) to 10" (254 mm) wide
- steel
- black powder coat
- tilted 10 degrees

Slimline™



Slimline™

25480



- holds CPU's up to 75 lbs (34 kgs) and 64" (1624 mm) perimeter
- straps can be tightened without suspending CPU
- secure support for flat or curved CPU's
- mounts underneath most work surfaces
- non-retractable version available with two position height adjustment for clearance under work surfaces with front rail