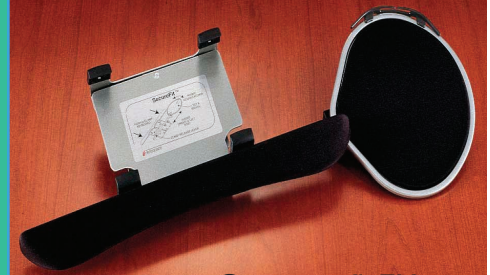


EA Intellaspaces™ Combos

EA Intellaspaces™ has a combo solution to suit your specific needs.....



Securefit™



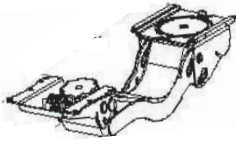
Houdini™

Your approach to product selection may extend beyond a single solution. EA Intellaspaces™ has taken the guess work out of choosing your perfect combination. We have put together an extensive list of combinations and packaged them for your convenience.

INNOVATIVE IDEAS IN WORKPLACE COMFORT

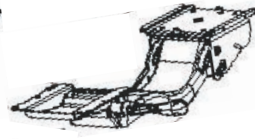


EA Intellaspaces™ combos



Tilt-A-Wheel

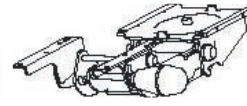
Cobra™ SitStand
Black Powder Coat
23" (584 mm) Track



Cobra™ SitStand
Black Powder Coat
23" (584 mm) Track



EasyRiser™
Black Powder Coat
23" (584 mm) Track



Compact EasyRiser™
Black Powder Coat
17¾" (450 mm) Track

Available Track Lengths:

Track length	Minimum return
17¾" (450 mm)	18" (457 mm)
19" (482 mm)	19¼" (488 mm)
21" (533 mm)	21¼" (539 mm)
23" (584 mm)	23¼" (590 mm)

Note: Cobra™ and EasyRiser™ mechanisms will not fully retract on track lengths less than 23" (584 mm)

Slimform™ Natural - 19" (482 mm)

27307

25969

25975

26346



SlimForm™ Natural - 19" (482 mm)

- ¼" phenolic, graphite spectrum
- tilt/swivel mouse
- wire management with mouse catcher

Slimform™ - 19" (482 mm)

27312

25967

25973

26343



SlimForm™ - 19" (482 mm)

- ¼" (6 mm) phenolic, graphite spectrum
- removable gel palm rest (no tools required)
- tilt/swivel mouse
- wire management with mouse catcher

Securefit™

27308

25717

25718

26342



Securefit™

- black powder coated steel
- tilt/swivel mouse
- wire management with mouse catcher

Slimform™ - 27" (685 mm)

27314

25968

25974

26344



SlimForm™ - 27" (685 mm)

- ¼" (6 mm) phenolic, graphite spectrum
- removable gel palm rest (no tools required)
- wire management with mouse catcher

Mousearound™

27309

26718

26719

26721



Mousearound™

- ¼" (6 mm) phenolic, graphite spectrum
- removable gel palm rest (no tools required)
- right to left sliding mouse platform
- wire management with mouse catcher

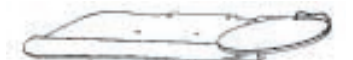
Omniboard™

27313

25971

25977

26349



Omniboard™

- ¼" (6 mm) phenolic, graphite spectrum
- removable gel palm rest (no tools required)
- dual height, right to left, tilt/swivel mouse (no tools required)
- wire management with mouse catcher

Spectra™

27311

25714

25803

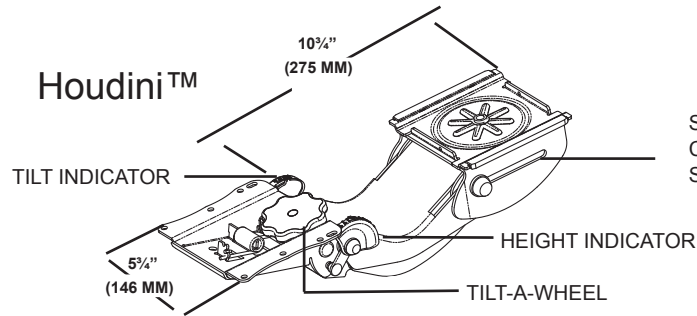
26345



Spectra™

- black powder coated steel
- tilt/swivel mouse
- wire management with mouse catcher

EA Intellaspace™ combos



SECONDARY SLIDE ALLOWS COMPLETE RETRACTION ON A SHORT, 17 3/4" (450 MM) TRACK

Slimform™ Natural - 19" (482 mm)

28146



SlimForm™ Natural - 19" (482 mm)

- 1/4" phenolic, graphite spectrum
- tilt/swivel mouse
- wire management with mouse catcher

Slimform™ - 19" (482 mm)

28147



SlimForm™ - 19" (482 mm)

- 1/4" (6 mm) phenolic, graphite spectrum
- removable gel palm rest (no tools required)
- tilt/swivel mouse
- wire management with mouse catcher

Securefit™

28148



Securefit™

- black powder coated steel
- tilt/swivel mouse
- wire management with mouse catcher

Slimform™ - 27" (685 mm)

28149



SlimForm™ - 27" (685 mm)

- 1/4" (6 mm) phenolic, graphite spectrum
- removable gel palm rest (no tools required)
- wire management with mouse catcher

Mousearound™

28150



Mousearound™

- 1/4" (6 mm) phenolic, graphite spectrum
- removable gel palm rest (no tools required)
- right to left sliding mouse platform
- wire management with mouse catcher

Omniboard™

28151



Omniboard™

- 1/4" (6 mm) phenolic, graphite spectrum
- removable gel palm rest (no tools required)
- dual height, right to left, tilt/swivel mouse (no tools required)
- wire management with mouse catcher

Spectra™

28152



Spectra™

- black powder coated steel
- tilt/swivel mouse
- wire management with mouse catcher