

EasyRiser™

a complete system for knob-free height adjustment and precise positioning of keyboard height and tilt.....

Compact EasyRiser™

all of the same great features you would find in the EasyRiser™ offered in a compact version.....



Shown in Black



Shown in Stardust Silver

The innovative, patented EasyRiser™ features knob-free height adjustment that allows for infinite positioning within its impressive 6¼" (158 mm) travel range. Simply lift the keyboardtray to the desired height and release – the keyboard locks in place. The keyboard tilt angle adjustment is provided by a one-touch wand that combines both function and ergonomic design. Choose one of the designer tray options to create

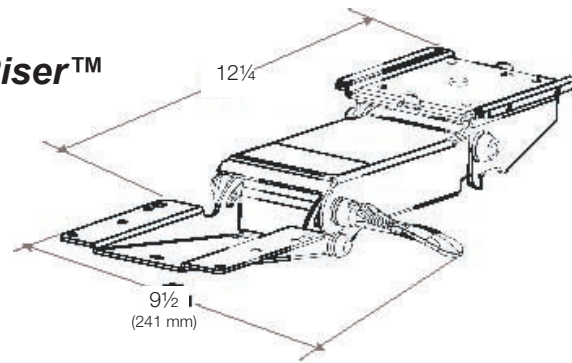
INNOVATIVE IDEAS IN WORKPLACE COMFORT



EasyRiser™ Advantages:

- Patented design offers a total travel range of 6¼" (158 mm)
- Independent tilt adjustment (±15°) maintains the selected tilt angle throughout the travel range
- Slim profile allows for maximum knee clearance when in use or retracted
- Spring assisted design provides effortless height adjustment
- 360° rear swivel for optimal keyboard tray positioning and easy storage
- Extended arm design fits various workstation configurations, including corners
- Closed-channel design provides maximum keyboard tray stability for a solid, quality feel
- Available in durable black powder coat (standard), or with a choice of custom colors
- Installation hardware and instructions included
- Exceeds ANSI/BIFMA X5.5, 1998 industry performance standard
- Lifetime warranty

EasyRiser™



EasyRiser™ SPECIFICATIONS

HEIGHT ADJUSTMENT	
UP	¼" (7 mm)
DOWN	6" (152 mm)
TOTAL	6¼" (158 mm)
HEIGHT SET	
*TILT	LIFT AND RELEASE
360° SWIVEL	+15° / -15°
FULLY RETRACTABLE	YES
ANSI/BIFMA X5.5 1998	YES, 23" (584 mm) STANDARD
MATERIAL	AND **21" (533 mm) TRACK
FINISH	YES, EXCEEDS
	STEEL
	TEXTURED BLACK POWDER COAT
*TILT RANGE 0° TO -15° IN CANADA ONLY	
**21" (533 mm) TRACK STANDARD IN CANADA	

TRACK OPTIONS

EasyRiser™ wand tilt

Track Size	Model #
21" Track 	KER21

EasyRiser™ no tilt

Track Size	Model #
21" Track	KER21NT

EasyRiser™ knob tilt

Track Size	Model #
21" Track	KER21K 



- STANDARD 23" (584 mm) GLIDE TRACK PROVIDES COMPLETE RETRACTABILITY
- 21" (533 mm) GLIDE TRACK PROVIDES COMPLETE RETRACTABILITY STANDARD IN CANADA
- NON-STANDARD TRACK LENGTHS ARE AVAILABLE UPON REQUEST



- 23" (584 mm) SLIMMOUNT™ HORIZONTAL BALL-BEARING SLIDE TRACK
- 21" (533 mm) - HORIZONTAL BALL-BEARING SLIDE TRACK STANDARD IN CANADA
- TO ORDER: PLACE -BB AFTER THE PART NUMBER ON YOUR ORDER
- *21" (533 mm) STANDARD TRACK SIZE IN CANADA ONLY

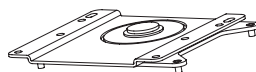
NEGATIVE-TILT ONLY

- available with all EasyRiser™ tray sets. the articulating arm comes preset at the factory to operate in only the negative-tilt position
- to order: place -NTO after the part number on your order

FRONT SWIVEL OPTION

dual swivel plate

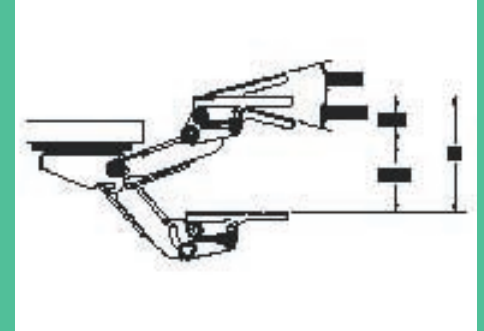
25396



- fits straight, diagonals 12" (304 mm) and greater, radius 12" (304 mm)
- denoted as DS suffix in combos
- for full tilt range throughout all swivel positions specify KCO23DS (Classic Cobra with integrated dual swivel functionality)

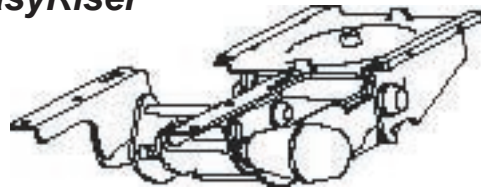


Compact EasyRiser™ Advantages:



- Arm offers adjustment above and below the mounting point allowing for more potential working postures as compared to other “slimline” designs ie: standard EasyRiser™
- Entire range of motion is available in extreme proximity to the worksurface
- Enhanced stability due to reduced length design
- Excellent choice where focal depth adjustability or corner extendibility are not issues
- Retracts fully on 17¾" (450 mm) track, most compact arm on the market
- Available in durable black powder coat (standard), or with a choice of custom colors
- Installation hardware and instructions included
- Exceeds ANSI/BIFMA X5.5, 1998 industry performance standard
- Lifetime warranty

Compact EasyRiser™



Compact EasyRiser™ SPECIFICATIONS

HEIGHT ADJUSTMENT	
UP	2½" (63 mm)
DOWN	3½" (88 mm)
TOTAL	6" (152 mm)
HEIGHT SET	LIFT AND RELEASE
TILT	+15° / -15° SOFT TOUCH KNOB
360° SWIVEL	YES
FULLY RETRACTABLE	YES, 18" (457 mm) TRACK INCLUDED
ANSI/BIFMA X5.5 1998	YES, EXCEEDS
MATERIAL	STEEL
FINISH	TEXTURED BLACK POWDER COAT

TRACK OPTIONS

Compact Easy Riser

Track Size	Model #	List Price
*18" Track	KCE18	\$205

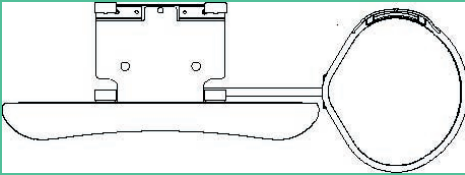


- STANDARD 18" (457 mm) GLIDE TRACK PROVIDES COMPLETE RETRACTABILITY.
- NON-STANDARD TRACK LENGTHS ARE AVAILABLE UPON REQUEST.



- 23" (584 mm) SLIMMOUNT™ HORIZONTAL BALL-BEARING SLIDE TRACK.
- TO ORDER: PLACE -BB AFTER THE PART NUMBER ON YOUR ORDER

Combine any Easyriser™ model with a SecureFit™ clamp for the perfect combo:



- Ultra small footprint, actual size of the keyboard is all that is needed
- Mouse can be adjusted left or right including width to eliminate any need for user reach. The pivot allows for precise mouse positioning all without tools
- Positive fit for the keyboard, offering superb stability and preventing any lateral movement
- Slow recovery foam palm rest
- Low profile design

CornerShaper™ Advantages:

- Allows the mounting of all Intellaspace™ keyboard arms in any corner application
- Esthetically designed low profile
- Integrated mounting options for track and track guard
- "One size" fits all
- For limited space applications, the 12" (304 mm) Shallow CornerShaper™ allows for the mounting of all keyboard arms
- Both sizes of the CornerShaper™ can be mounted onto surfaces with a thickness of 1" (25 mm) to 1½" (38 mm) or 1½" (38 mm) to 2½" (63 mm)
- Hardware and easy-to-follow mounting instructions included
- Lifetime warranty



SecureFit™ SPECIFICATIONS

TRAY DIMENSIONS	19" (482 mm) X 8" (203 mm) - 12" (304 mm) ADJUSTABLE
MOUSE DIMENSIONS	8¾" (222 mm) X 9½" (241)
KEYBOARD SIZE	FITS FROM 5" (127mm) - 9" (228 mm)
MOUSE PLATFORM	FOR LEFT OR RIGHT HAND USE
TILT AND SWIVEL MOUSE	FOR INFINITE ADJUSTMENT
PALM REST	SLOW RECOVERY FOAM
MATERIAL	STEEL
FINISH	BLACK POWDER COAT



CornerShaper™ SPECIFICATIONS

19 ½" (495 mm) WIDTH	FOR WORKSURFACES 1" (25 mm) - 1½" (38 mm) THICK FOR WORKSURFACES 1½" (38 mm) - 2½" (63 mm) THICK
MATERIAL	STEEL
FINISH	BLACK POWDER COAT

Shallow CornerShaper™ SPECIFICATIONS for limited space applications

12" (304 mm) WIDTH	FOR WORKSURFACES 1" (25 mm) - 1½" (38 mm) THICK FOR WORKSURFACES 1½" (38 mm) - 2½" (63 mm) THICK
MATERIAL	STEEL
FINISH	BLACK POWDER COAT