

Adept Series Monitor Arms

Utilizing classic and time tested styling, the Adept Series delivers outstanding performance and a value conscious price tag. With its counter-balance mechanism set for the monitor, vertical height, focal distance, screen angle and orientation adjustments are all easily and quickly achieved in seconds without the use of any tools. Claim back your valuable desk space as you elevate your monitor to the perfect working position with Adept.



Single Panel Radial Arm

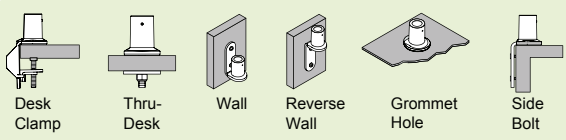
horizontal max 23 3/4" (590mm)
vertical min 0" (0mm) to max 15 1/4" (400mm)

Models

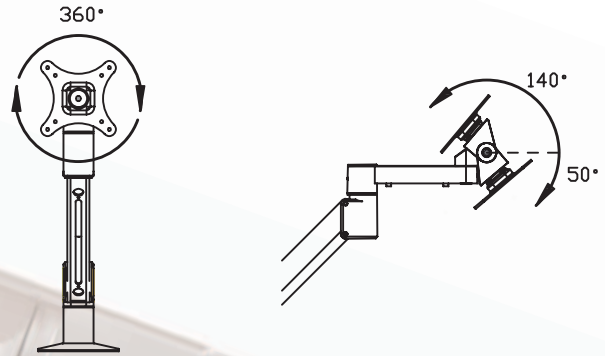
	Model #	List Price
2 1/4 - 11 lbs 1 - 5 kgs	LR71-211B	\$330
8 3/4 - 27 1/2 lbs 4 - 12 1/4 kgs	LR71-927B	\$330

- includes all mount options shown below in the standard MultiMount kit
- available in black (B) silver (S) and white (W)
- silver (S) and white (W) may require extended lead time

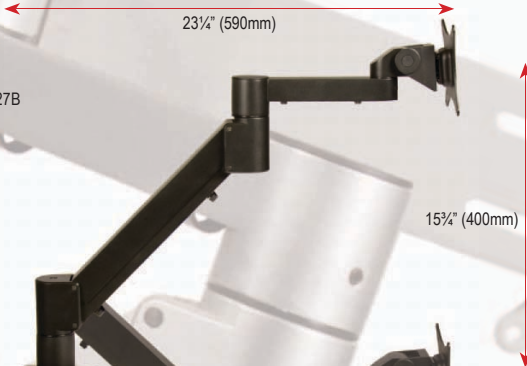
MultiMount



model# LR71-927B



model# LR71-927B



The productivity benefits of using two monitors have been well documented and many of those that have made the switch to dual screens maintain that they could never go back to a single screen. The Adept Series dual monitor array is an easy to install, easy to use, cost effective solution to getting those monitors into the perfect viewing position and freeing up your desk for other tasks at the same time. The monitors can be oriented side by side or over and under. Enjoy enhanced productivity with Adept.



model# LR72-927S

Dual Panel Radial Arm

horizontal max 23 3/4" (590mm)
vertical min 0" (0mm) to max 15 1/4" (400mm)

Models

	Model #	List Price
8 3/4 - 27 1/2 lbs 4 - 12 1/4 kgs	LR72-927B	\$490

- max combined monitor weight: 23 lbs
- max monitor width: 19" (outside to outside dimension)
- includes MultiMount kit
- available in black (B) silver (S) and white (W)
- silver (S) and white (W) may require extended lead time

