



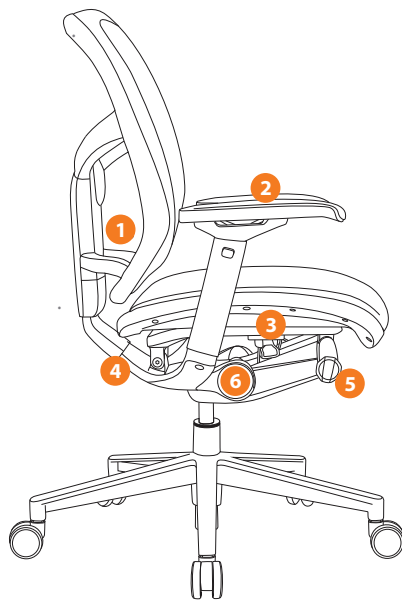
concept 2.0



The Concept 2.0 brings extraordinary economy to luxury seating. Sharing many of the features of the top-range Ergohuman models, the Concept 2.0 office chair is ideal in a myriad of office and boardroom applications. With unique autoflex zones for back and lumbar support and a range of adjustments using the ingeniously simple single lever control to provide personalised comfort, The Concept 2.0 is beautifully designed for enduring comfort. Aesthetics, form and function allow this ergonomic chair to utilize a synchro tilt mechanism with infinite lock, sliding seat and pneumatic height adjustment. Height and angle adjustable arms all in one very unique ergonomic chair. The Concept 2.0 chair is 97% recyclable, and has Greenguard Indoor Air Quality Certification.

Personalized comfort, affordable luxury.

- 1 Lumbar support – adjustment range of 3.5”.
- 2 Arm rest – 8 height positions with 3” range, forward/backward adjustment with 1.38” range, width adjustment 1.5” range & angle adjustment with 3 positions.
- 3 Seat height adjustment (correct set height reduces back fatigue).
- 4 Seat gradient adjustment – range of angle .79” .
- 5 Back rest tilt tension adjustment.
- 6 Synchro mechanism – ergonomically designed to enhance back to seat tilt which helps to reduce pressure on the spine.
- 7 Seat depth adjustment – range of depth 2” (not shown on diagram).
- 8 Backrest angle adjustment – 4 position adjustment with 2.5” range (not shown on diagram).



Model # CONCEPT 2.0
List Price \$955



3D Mesh
Black

Concept 2.0 and the Environment

We are committed to environmental sustainability and manufacture products that consume less of the earth's limited resources. We employ innovative manufacturing processes that always meet or exceed the most exacting standards.

- 97% recyclable
- Greenguard certified for indoor air emissions



Dimensions and range of adjustability

Overall Depth	25½”
Overall Width	26”
Overall Height	43½”
Seat Height Range	19” to 22½”
Seat Depth Range	16” to 18”
Seat Width	19”



15 West Pearce St
Richmond Hill, ON L4B 1H6 (905) 764-5228
www.eaergo.com