

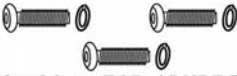






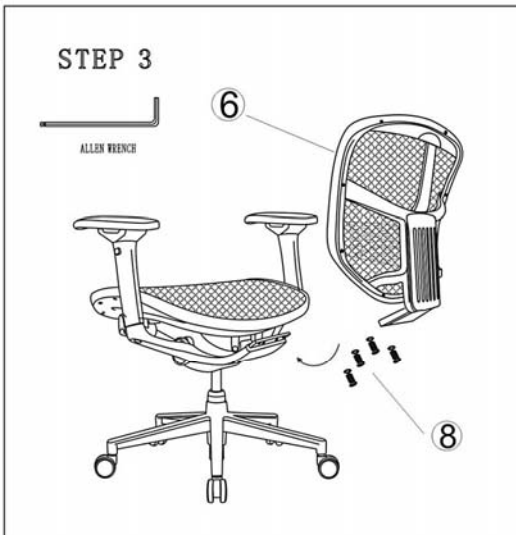
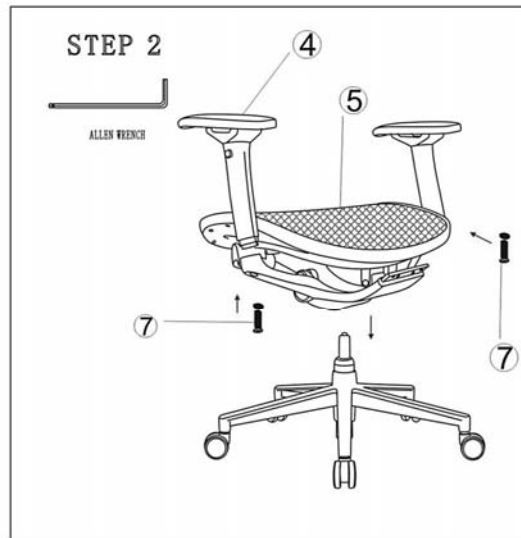
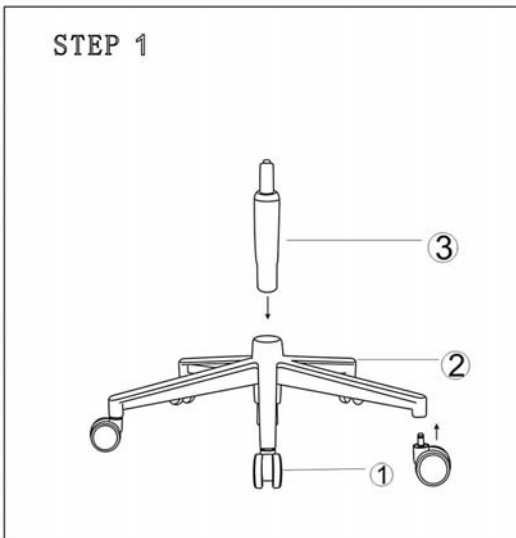


CONCEPT 2.0 ASSEMBLY INSTRUCTION

<p>①</p>  <p>CASTER x 5</p>	<p>④</p>  <p>ARMREST x 2</p>	<p>Bolts & Washers</p> <div style="border: 1px solid black; padding: 5px; margin: 5px 0;"> <p>⑦</p>  <p>M8 x 22mm FOR ARMREST</p> </div> <div style="border: 1px solid black; padding: 5px; margin: 5px 0;"> <p>⑧</p>  <p>M8 x 17mm FOR BACKREST</p> </div>	<p>ALLEN WRENCH</p> 
<p>②</p>  <p>BASE x 1</p>	<p>⑤</p>  <p>SEAT CUSHION x 1</p>		
<p>③</p>  <p>GAS LIFT x 1</p>	<p>⑥</p>  <p>BACK CUSHION x 1</p>		



Every 6 months, please make sure all bolts, screws and knobs are fully tightened to ensure stability.

PREVENTATIVE MAINTENANCE & WARNING!

- Use this product only for seating one person at a time.
- Do not use this as a step stool/ladder.
- Do not sit on any part of the chair except the seat.
- Do not use this chair on uneven floor surfaces.
- Do not interfere with the operating of the gas lift.
- Do not use the chair unless all bolts, screws and knobs are tight. At least every six month check all bolts, screws and knobs to ensure they are tight.
- If any parts are missing, broken, damaged or worn do not use the product until repairs are made using factory authorized parts.
- Dispose of packaging properly.
- Plastic bag is not a toy.
- Do not use plastic bag as a head covering as it may cause suffocation.
- Failure to follow these warnings could result in series injury.