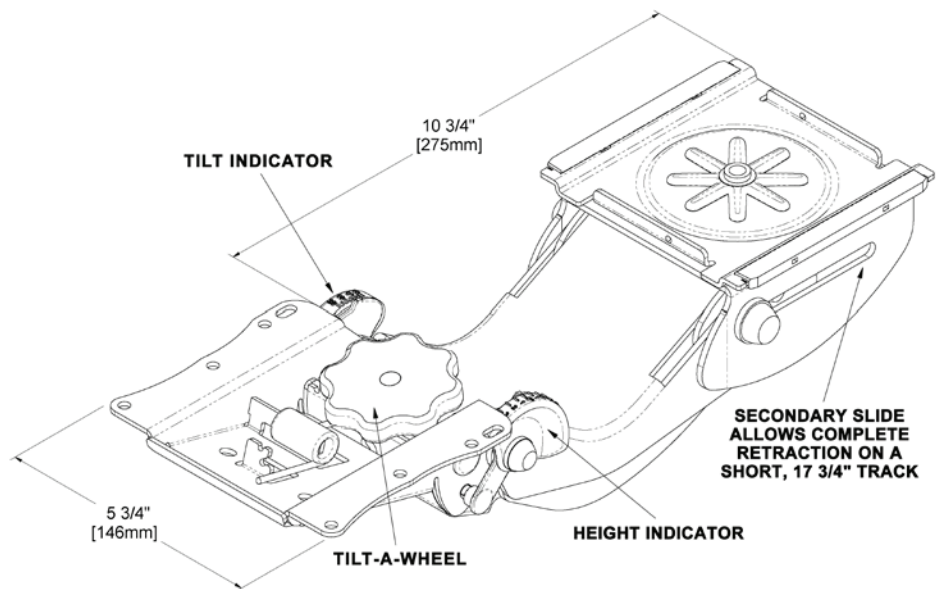


## Houdini™ Advantages:

- Patented design works on both corner work surfaces and short returns by working like an extended mechanism but stowing like a short arm (CornerShaper™ is needed for 90° corners)
- Position indicators for both height and tilt are practical and attractive
- Soft-touch wheel allows convenient, stable, one-hand tilt adjustment
- Provides a total travel range of 8" (5" below work surface; 3" above)
- Offers maximum seated flexibility, with a full 20° negative tilt and 10° positive tilt
- "Lift and release" height adjustment is effortless and secure
- 360° rear swivel provides additional keyboard tray positioning
- Slim profile maximizes knee clearance when in use or retracted
- Exceeds the ANSI/BIFMA X5.5-1998 industry performance standard



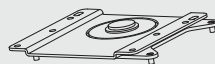
## HOUDINI™ SPECIFICATIONS

HEIGHT ADJUSTMENT	
UP	3" (76 mm)
DOWN	5" (127 mm)
TOTAL	8" (203 mm)
HEIGHT SET BY	LIFT AND RELEASE
HEIGHT INDICATOR	YES
+10° / -20° TILT SET BY	SOFT TOUCH WHEEL
TILT INDICATOR	YES
REAR SWIVEL	360°
FULLY RETRACTABLE	YES, ON 17 3/4" TRACK (INCLUDED)
ANSI/BIFMA X5.5-1998	YES, EXCEEDS
MATERIAL	STEEL
FINISH	BLACK, SILVER OR WHITE TEXTURED POWDERCOAT

## NEGATIVE-TILT ONLY

AVAILABLE WITH ALL HOUDINI TRAY SETS, A "POSITIVE TILT LOCKOUT PIN" CAN BE EITHER FACTORY OR FIELD INSTALLED SO ARM OPERATES ONLY IN THE NEGATIVE TILT DIRECTION. INDICATE "NEGATIVE TILT ONLY" ON YOUR ORDER.

## FRONT SWIVEL OPTION 25396



OPTIONAL FRONT SWIVEL TURNS THE HOUDINI INTO A DUALSWIVEL FOR INCREASED MOBILITY.